

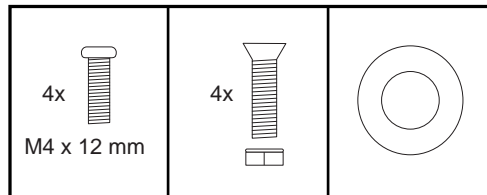
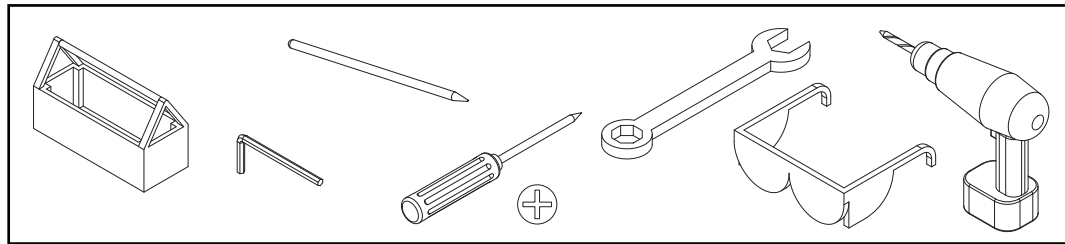
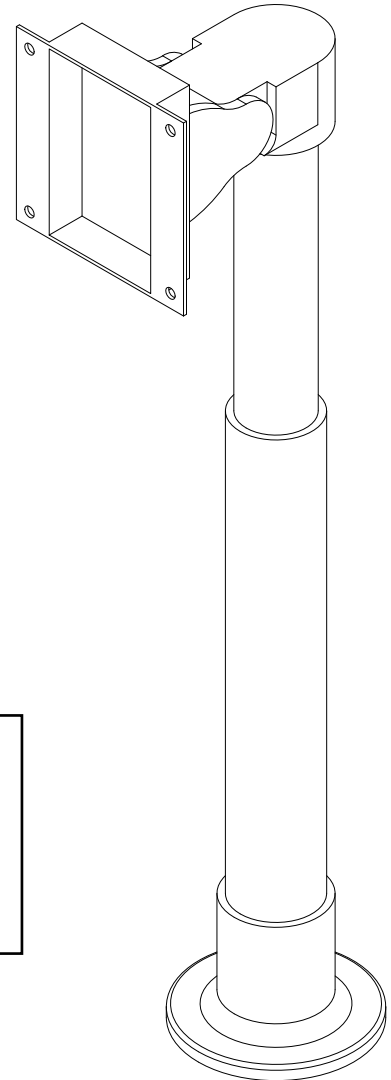
**TT-VMD30DT-B**  
**Compact Vertical Desk Mount - Black**

**IMPORTANT WARNINGS:** Read the entire instruction sheet before you begin installation or assembly. Installer must verify that the **desk or other structure** will safely support the combined weight of all attached equipment and hardware. Improper installation of this product can cause extensive property damage or serious personal injury, either during or after the installation.

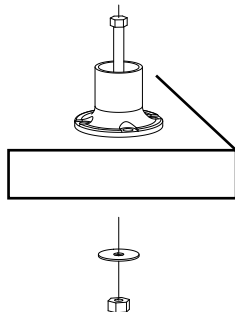
It is the responsibility of the installer to ensure that all applications including wood, concrete, block, brick, steel, etc. are secured properly to code. California installations could require specific anchorage, and additional mounting screws. Check with local authorities for codes in your area. Other seismic states have similar regulations.

**DISCLAIMER**

This product is subject to a LIMITED WARRANTY. See other materials included when the product was purchased. THE MANUFACTURER AND/OR THE DISTRIBUTOR WILL BEAR NO RESPONSIBILITY FOR ANY DAMAGES OF ANY KIND ARISING FROM ANY IMPROPER INSTALLATION OF THIS PRODUCT.

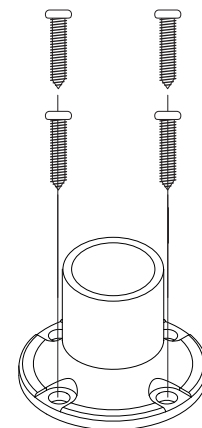


**1 Drilled Hole Option**



Drill a 7/16" hole in mounting surface where you want to mount unit. Bolt should go through the base of unit then drilled hole and be attached securely with washer and bolt.

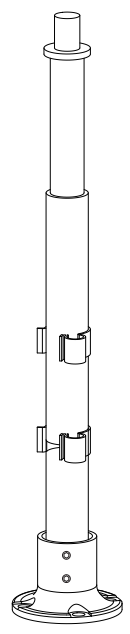
**Direct Attach Option**



Mark the holes. Drill a pilot holes and screw mount directly to desk. Screws not provided for this option.

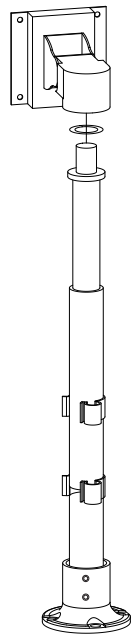
2

Insert telescoping pole into base and tighten with Allen key provided.



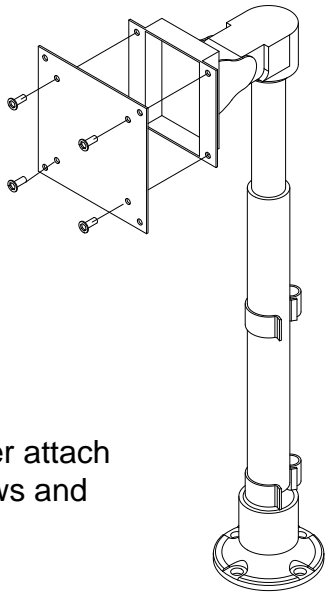
3

Mount head and washer on telescoping pole and tighten with Allen key provided.



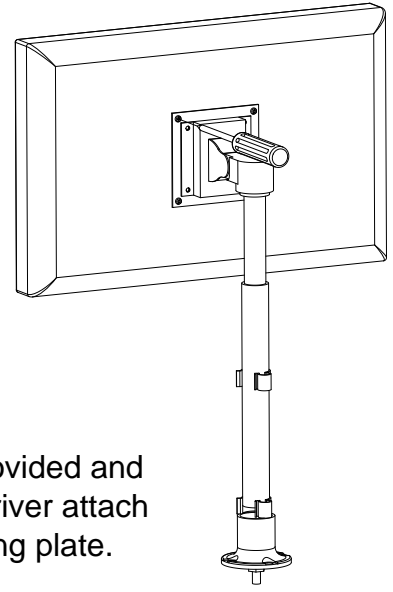
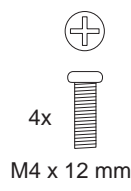
4

Using a Philips screw driver attach mounting plate using screws and locking bolts provided.

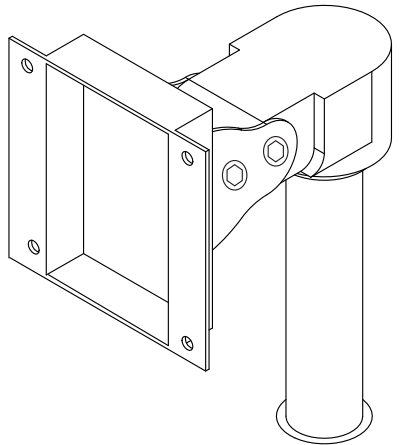


5

Using the 4 screws provided and a Philips head screwdriver attach the LCD to the mounting plate.

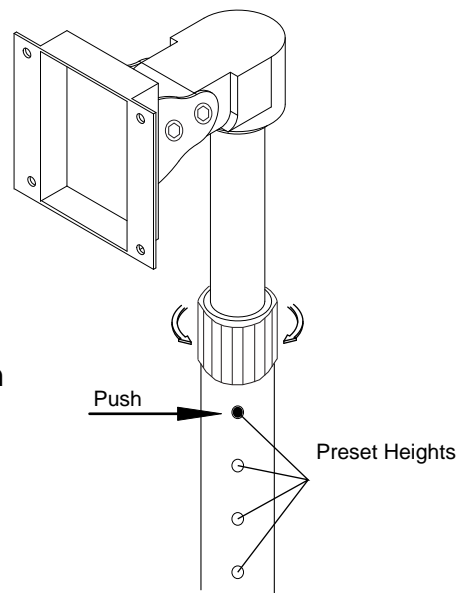


**Adjustment**



Tension for tilt can be adjusted – clockwise to tighten or counter clockwise to loosen.

**Adjustment**



Height of monitor can be adjusted by loosening collar and pressing button and moving to another of the preset heights.