

INSTALLATION INSTRUCTIONS
TT-RXDMY000-S
RX Universal Desk Mount - Silver









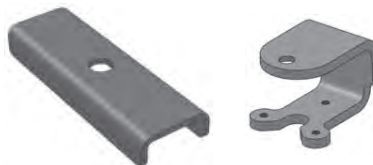
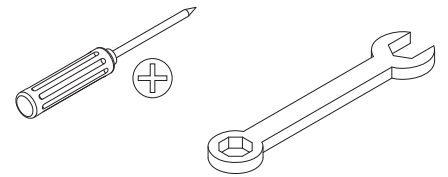
INSTALLATION WARNINGS:

Read the entire instruction sheet before you begin installation or assembly. Installer must verify that the desk or other structure will safely support the combined weight of all the attached equipment and hardware. Improper installation of this product can cause extensive property damage or serious personal injury, either during or after the installation. It is the responsibility of the installer to ensure that all applications including wood, concrete, block, brick, steel, etc. are secured properly to code. California installations could require specific anchorage, and additional mounting screws. Check with local authorities for codes in your area. Other seismic states have similar regulations.

DISCLAIMER: The Manufacturer and/or Distributor will bear no responsibility for any damages of any kind arising from any improper installation of this product.





TT-RXDMY000-S INSTALLATION INSTRUCTIONS

1.1 Grommet hole mounting



Place mounting pole over the grommet hole and use the mounting plate and bolt to fasten it to the table.

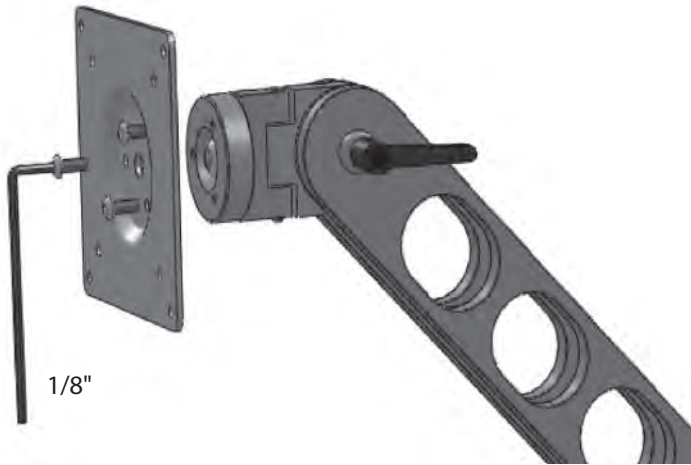
1.2 C-clamp mounting option

Place the C-clamp on the bottom of the pole and fasten using the Allen key and screw provided.



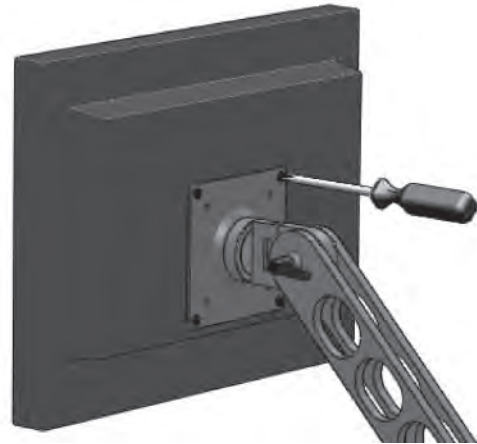
Fasten the C-clamp to the edge of the desk using the 3 set screws and Allen key provided.

2.0 Attach the VESA plate to the mount.



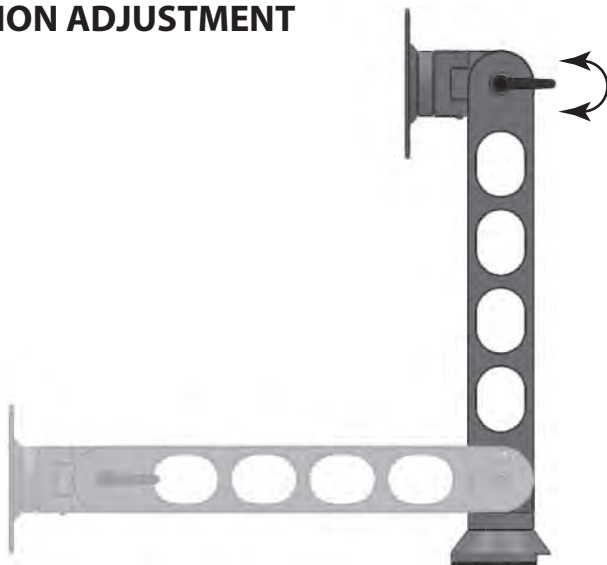
3.0

Using the 4 screws provided and a Phillips head screwdriver, attach the LCD to the mounting plate.



ADJUSTMENT INSTRUCTIONS

TENSION ADJUSTMENT



If handles do not easily turn, use a 5/32" Allen key to secure screw in place while turning handle. Screw is located on opposite side of mount.

