

INSTALLATION INSTRUCTIONS

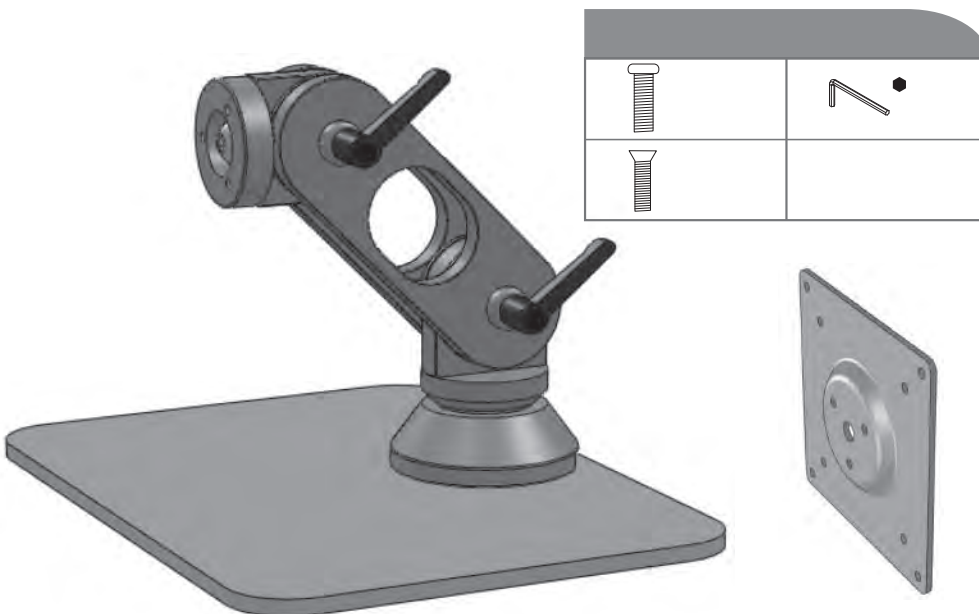
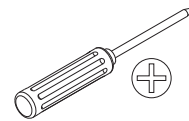
TT-RXDMV000-S

RX Freestanding Desk Mount - Silver

**INSTALLATION WARNINGS:**

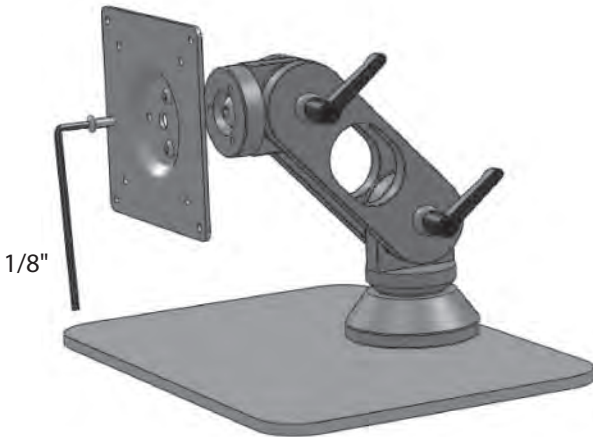
Read the entire instruction sheet before you begin installation or assembly. Installer must verify that the desk or other structure will safely support the combined weight of all the attached equipment and hardware. Improper installation of this product can cause extensive property damage or serious personal injury, either during or after the installation. It is the responsibility of the installer to ensure that all applications including wood, concrete, block, brick, steel, etc. are secured properly to code. California installations could require specific anchorage, and additional mounting screws. Check with local authorities for codes in your area. Other seismic states have similar regulations.

DISCLAIMER: The Manufacturer and/or Distributor will bear no responsibility for any damages of any kind arising from any improper installation of this product.

PARTS IN BOX**TOOLS REQUIRED**

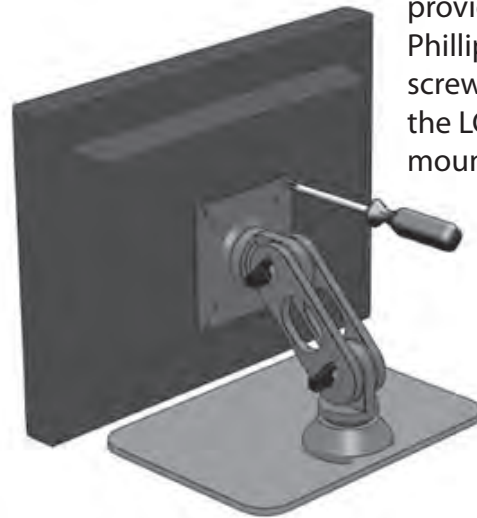
TT-RXDMV000-S INSTALLATION INSTRUCTIONS

1.0



Attach the VESA plate to the mount.

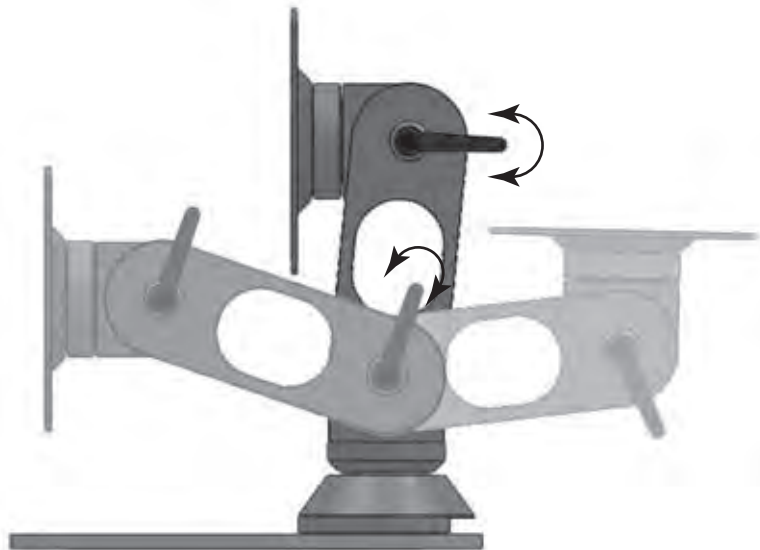
2.0



Using the 4 screws provided and a Phillips head screwdriver, attach the LCD to the mounting plate.

ADJUSTMENT INSTRUCTIONS

TENSION ADJUSTMENT



If handles do not easily turn, use a 5/32" Allen key to secure screw in place while turning handle. Screw is located on opposite side of mount.

To **INCREASE** tension



Turn **CLOCKWISE**

To **DECREASE** tension



Turn **COUNTER CLOCKWISE**