

RX FREESTANDING DESK MOUNT - SILVER

Extremely compact, this solid LCD touch screen enabled desk mount provides stability and ergonomic adjustment. An ideal solution where mounting through the desk is not an option.

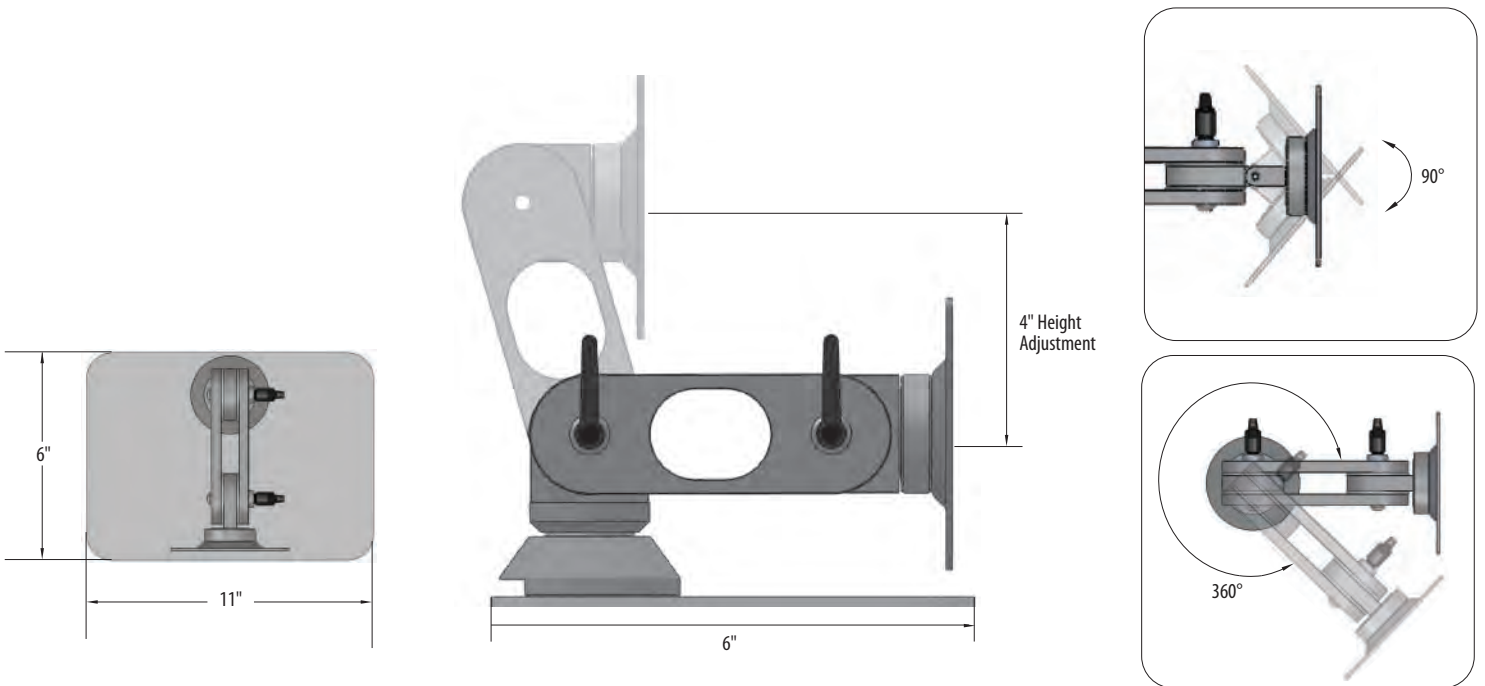
BENEFITS

- Touch screen compatible
- Freestanding mount
- Portrait and landscape viewing



- 1 Free standing base for desktop use
- 2 Pivot points allow for tilt adjustment

LCD HEIGHT ADJUSTMENT	LCD MAX WEIGHT	LCD ROTATION	LCD PIVOT	LCD TILT RANGE	MOUNTING STANDARD
4"	25 lbs	360 degrees	180 degrees	90 degrees	Vesa 75mm/100mm



SPECIFICATIONS	Shipping Weight: 10 lbs	Box Dimensions: 10" x 16" x 20"	Product Warranty: 1 Year
-----------------------	-------------------------	---------------------------------	--------------------------