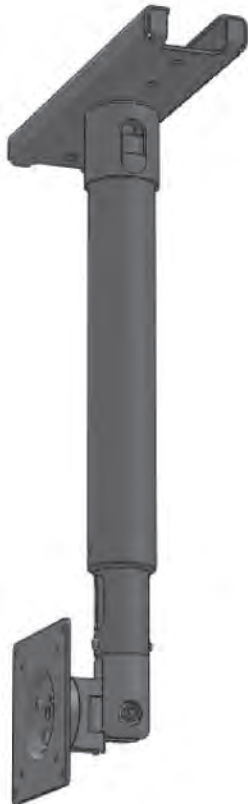


INSTALLATION INSTRUCTIONS

TT-RXCMD000-S

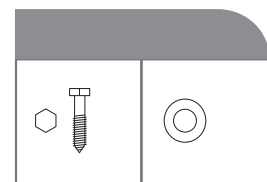
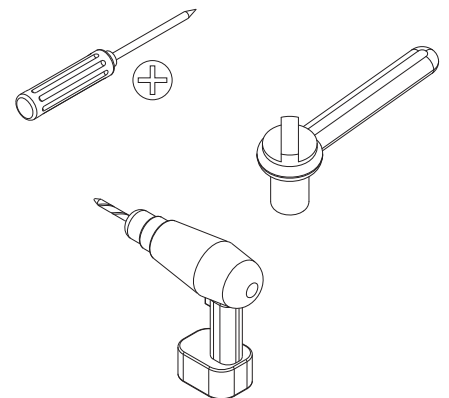
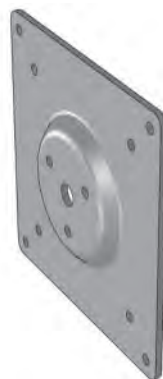
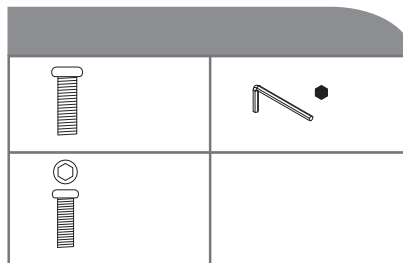
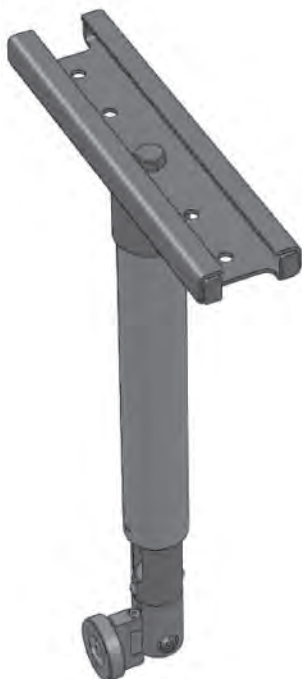
RX Tilting LCD Adjustable Ceiling Mount - Silver



INSTALLATION WARNINGS:

Read the entire instruction sheet before you begin installation or assembly. Installer must verify that the wall will safely support the combined weight of all the attached equipment and hardware. Improper installation of this product can cause extensive property damage or serious personal injury, either during or after the installation. It is the responsibility of the installer to ensure that all applications including wood, concrete, block, brick, steel, etc. are secured properly to code. California installations could require specific anchorage, and additional mounting screws. Check with local authorities for codes in your area. Other seismic states have similar regulations.

DISCLAIMER: The Manufacturer and/or Distributor will bear no responsibility for any damages of any kind arising from any improper installation of this product. Because wall construction varies widely and the ultimate method of mounting is out of the Manufacturers or Distributors control, it is imperative that the installer consult with local engineering, architectural, or construction personal to ensure the wall mount is constructed properly and to code to handle the applied load.



TT-RXCMD000-S INSTALLATION INSTRUCTIONS

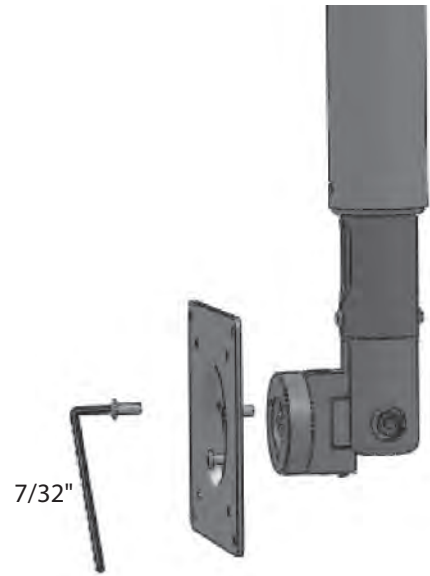
1.0



Locate the beam and mark the holes. Drill pilot holes and insert screws with washers and tighten all screws.

NOTE: Hardware not provided. Installer to provide based on mounting material and local building codes.

2.0



Attach the VESA plate to the ceiling mount.

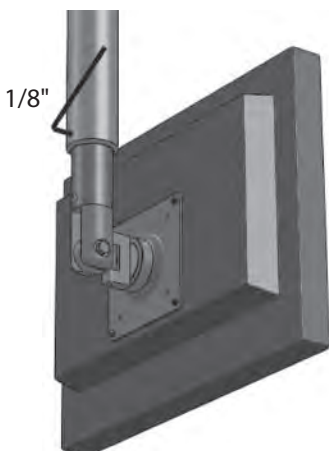
3.0



Using the 4 screws provided and a Phillips head screwdriver, attach the LCD to the mounting plate.

ADJUSTMENT INSTRUCTIONS

HEIGHT ADJUSTMENT



Using the supplied Allen Key, loosen the screw. Adjust to the desired height. Tighten the screw.

TILT TENSION ADJUSTMENT



To adjust the tilt tension, use two ratchet wrenches to tighten or loosen the hex bolts on the pivot assembly.