

# TT-GXWMD000-B

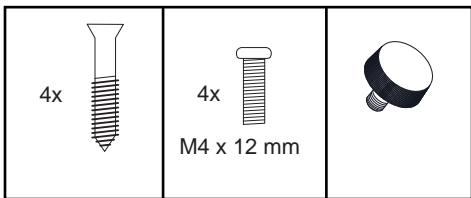
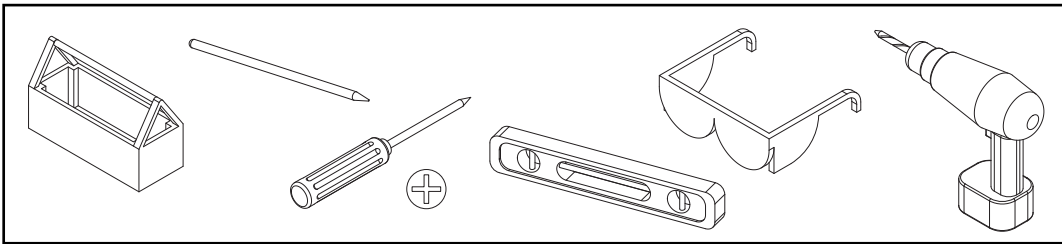
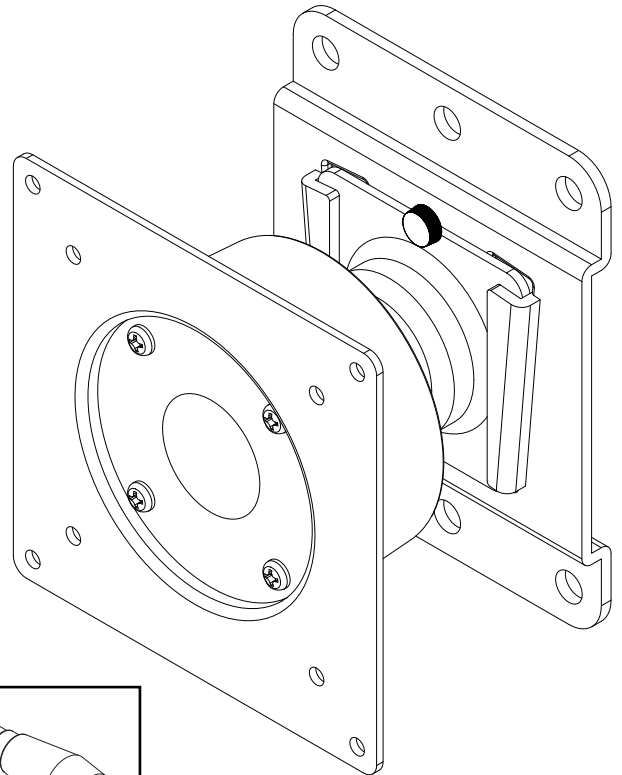
## GX Multi Pivot Wall Mount – Black

**IMPORTANT WARNINGS:** Read the entire instruction sheet before you begin installation or assembly. Installer must verify that the **entire wall** will safely support the combined weight of all attached equipment and hardware. Improper installation of this product can cause extensive property damage or serious personal injury, either during or after the installation.

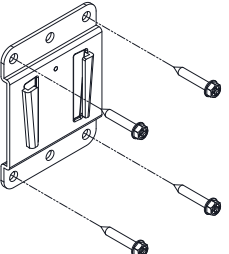
It is the responsibility of the installer to ensure that all applications including wood, concrete, block, brick, steel, etc. are secured properly to code. California installations could require specific anchorage, and additional mounting screws. Check with local authorities for codes in your area. Other seismic states have similar regulations.

**DISCLAIMER**

This product is subject to a LIMITED WARRANTY. See other materials included when the product was purchased. THE MANUFACTURER AND/OR THE DISTRIBUTOR WILL BEAR NO RESPONSIBILITY FOR ANY DAMAGES OF ANY KIND ARISING FROM ANY IMPROPER INSTALLATION OF THIS PRODUCT.



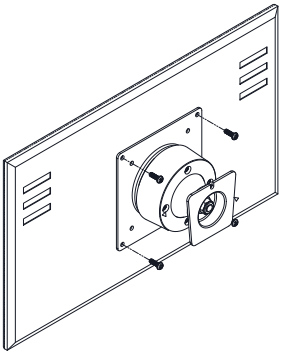
**1**



4x

Choose a location for mount and mark one hole. Drill pilot hole, insert plug and partially tighten one screw on the mount. Line up and mark other holes using a level. Put remaining plugs in place and tighten all screws.

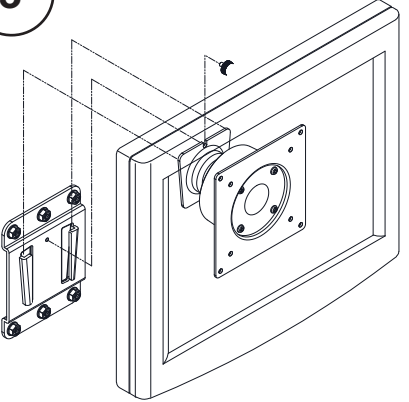
**2**



4x  
M4 x 12 mm

Using the 4 screws provided and a Philips head screwdriver attach the LCD to the mounting plate.

**3**



Slide monitor on to mount. Secure with thumb wheel