

GX MULTI PIVOT WALL MOUNT - BLACK

Flexibility in motion, this LCD mount provides limitless viewing angles to accommodate a variety of users with a minimum profile of 3 inches.

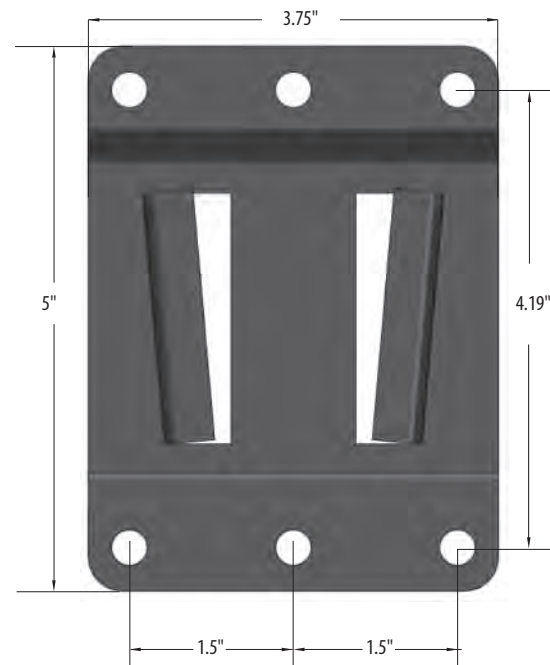
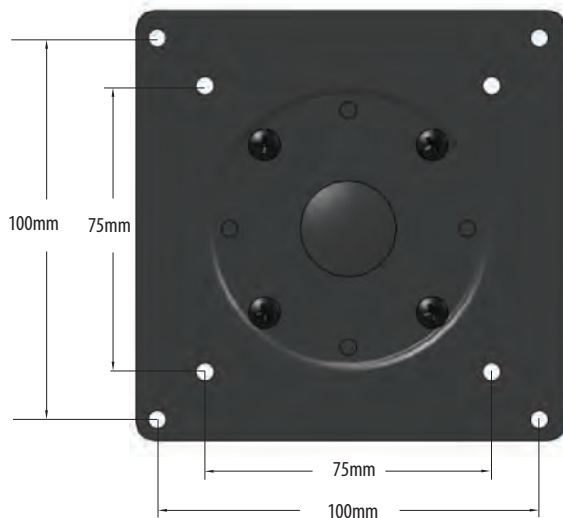
BENEFITS

- Display weight capacity up to 25 pounds
- For easy installation and quick release applications
- Touch screen stability
- Ball joint provides easy adjustment of large LCD monitors



- 1 Ball joint
- 2 Quick release slides

LCD HEIGHT ADJUSTMENT	LCD MAX WEIGHT	LCD ROTATION	LCD PIVOT	LCD TILT RANGE	MOUNTING STANDARD
0"	25 lbs	360 degrees	35 degrees	35 degrees	Vesa 75mm/100mm



SPECIFICATIONS	Shipping Weight: 3 lbs	Box Dimensions: 5" x 5" x 5"	Product Warranty: 1 Year
----------------	------------------------	------------------------------	--------------------------