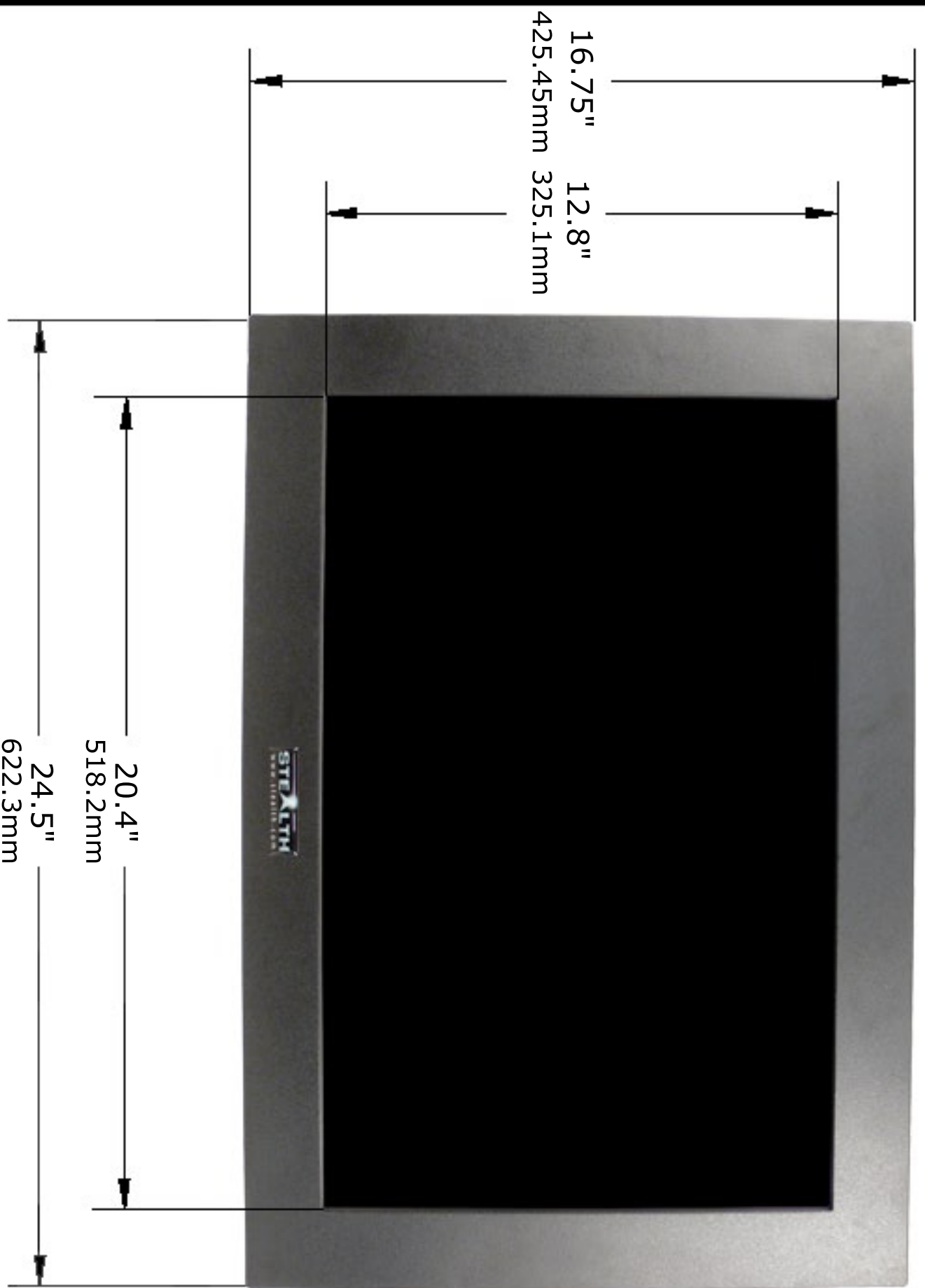
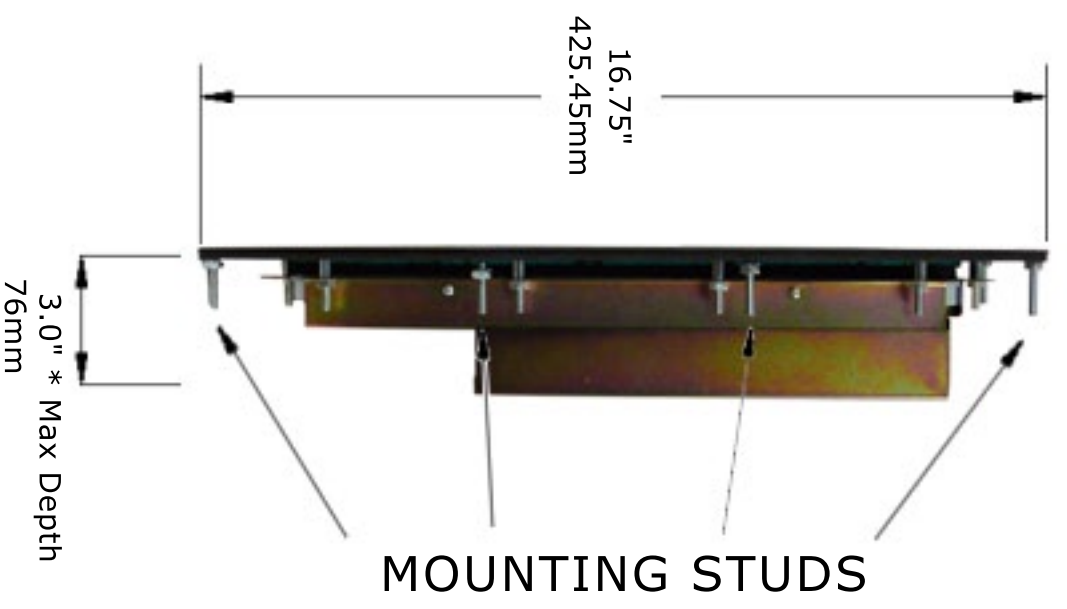


All dimensions shown in Inches and Millimeters



FRONT VIEW



SIDE VIEW

(Actual side view of model may not be exactly as shown)

24" Panel Mount LCD Monitor

Model # SV-2400-PM & SV-2401-PM

Scale Not to Scale

Date January 6, 2010

Drawn by Andrew Pakula

Drawing # DWG-5060-REV-01-SV240X-PM

Page 1 of 1

www.stealth.com
1-888-STEALTH

STEALTH.COM