

**KEY SWITCH**

MATERIAL: Industrial Silicone Rubber  
 LIFE: Greater Than 10 Million Cycles  
 TRAVEL: 0.055 in.  
 ACTUATION FORCE: 7.05 oz. +/- 1.06oz (200g +/- 30g)  
 FEEDBACK: Tactile with Mechanical Snap

**TEMPERATURE RANGE**

STORAGE: -40°F to +158°F (-40°C to +70°C)  
 OPERATING: -4°F to +140°F (-20°C to +60°C)

**VIBRATION**

POWER SPECTRAL DENSITY: .04g/HZ  
 FREQUENCY RANGE: 20Hz-2Khz  
 DURATION OF TEST PER AXIS: 3 hours

**POWER**

PS2: POINTER: 35mA@5V (from Mouse port)  
 USB: 35mA@5V (from CPU port)

**HUMIDITY**

100% Humidity Resistant

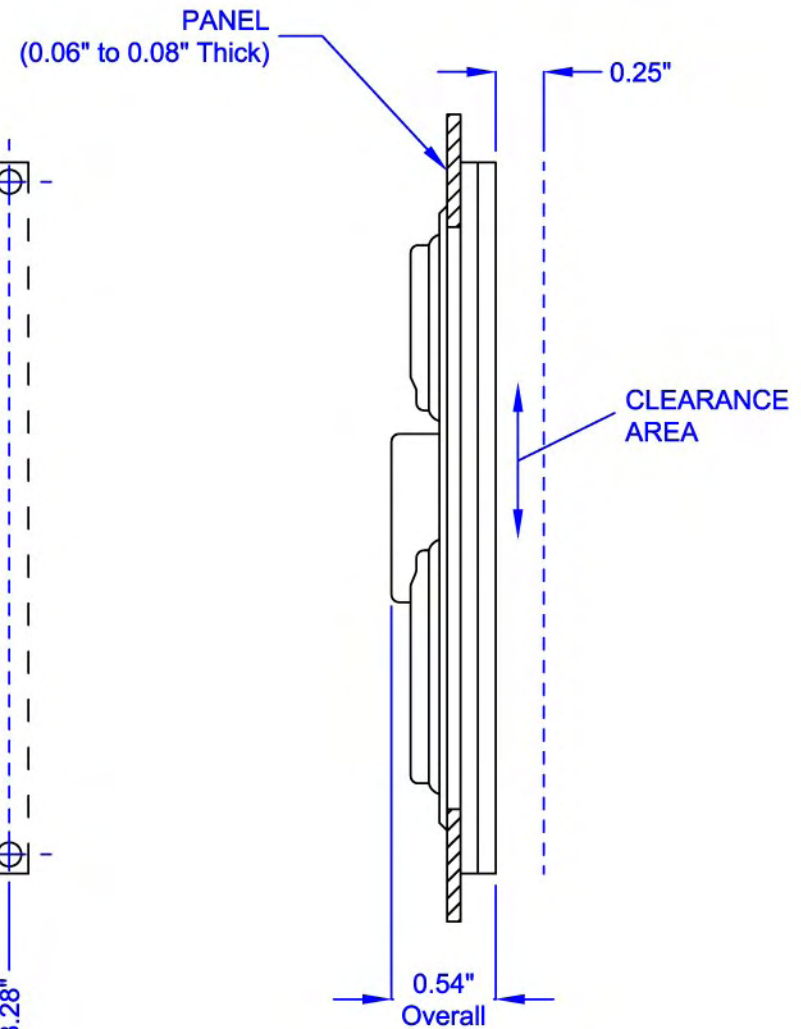
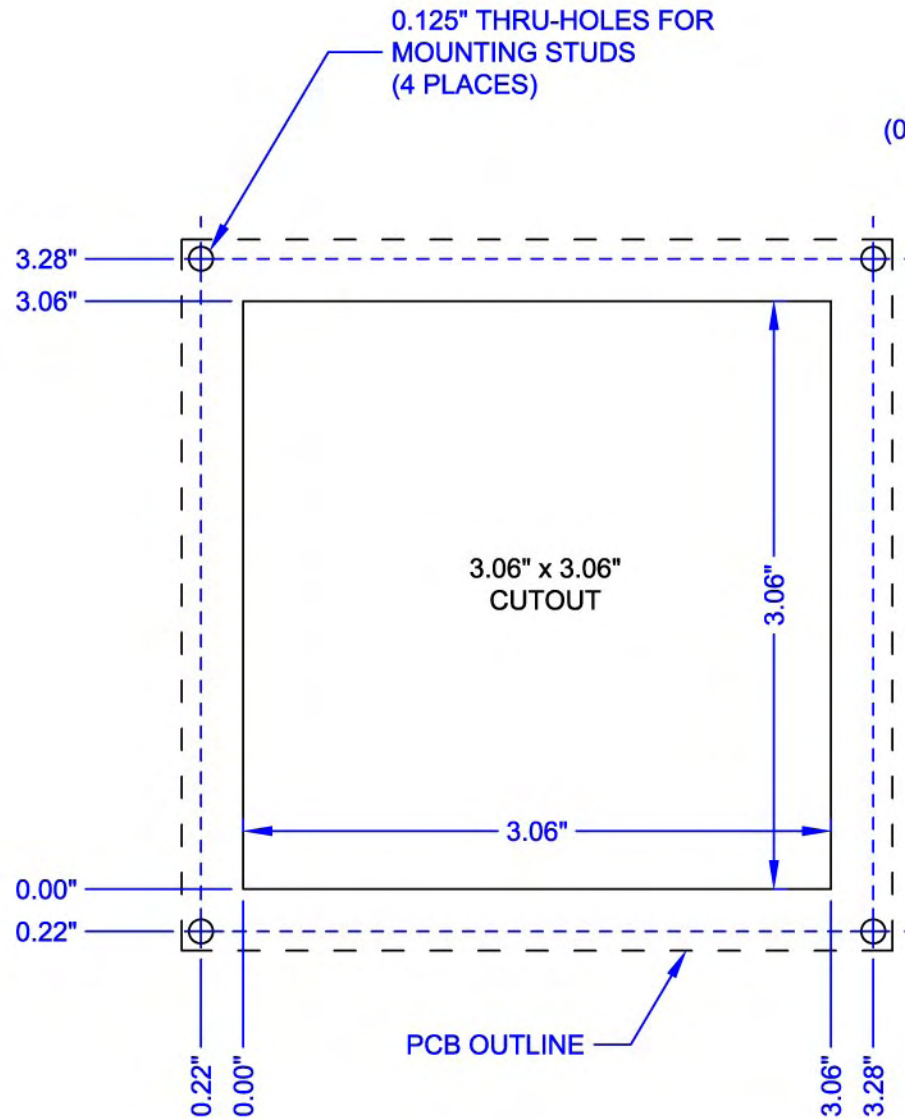
**SHOCK**

3 X 11 ms pulses of 50g on each of 3 axis

**WEIGHT**

0.50 lbs +/- 0.10 lbs (0.23 kg +/- 0.05 kg)

SCALE: 1:1



SCALE: 1:1