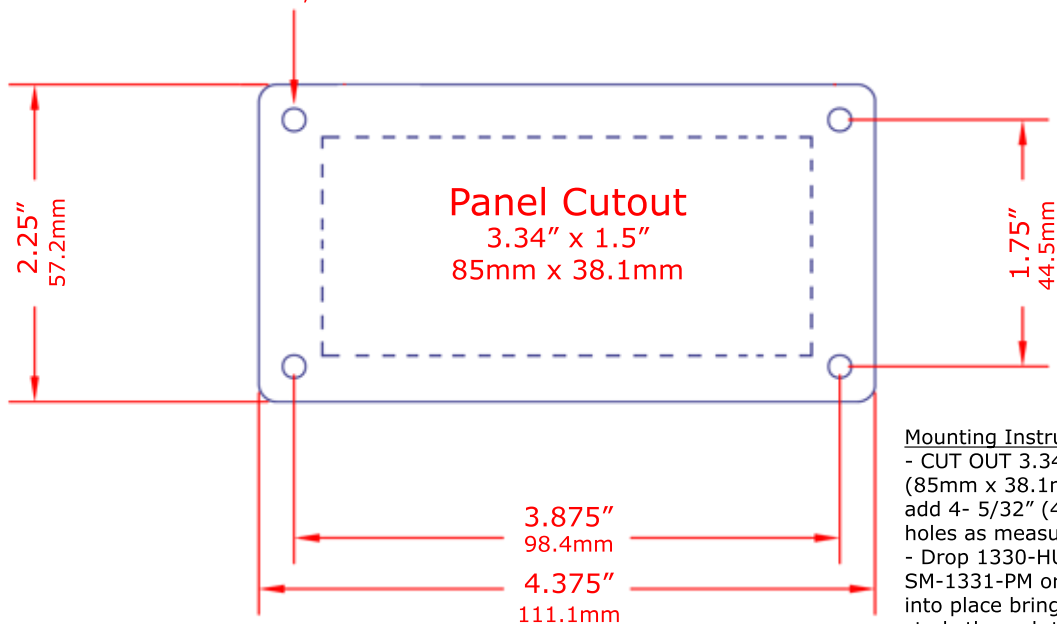


5/32" (4mm) DIA STUD
THRU HOLE, 4 PLACES



Panel Cutout
3.34" x 1.5"
85mm x 38.1mm

Mounting Instructions

- CUT OUT 3.34" x 1.5" (85mm x 38.1mm) and add 4- 5/32" (4mm) thru holes as measured
- Drop 1330-HULA-PM, SM-1331-PM or SM-1335-JOY-PM into place bringing the studs through the 5/32" (4mm) holes and tighten down with supplied nuts.